

DELIVERY RECORD

Client: High Energy Accelerator Research Organization (KEK)

Facility: PF-AR East Laboratory No.2

Location: Ibaraki, Japan

1 October 2018

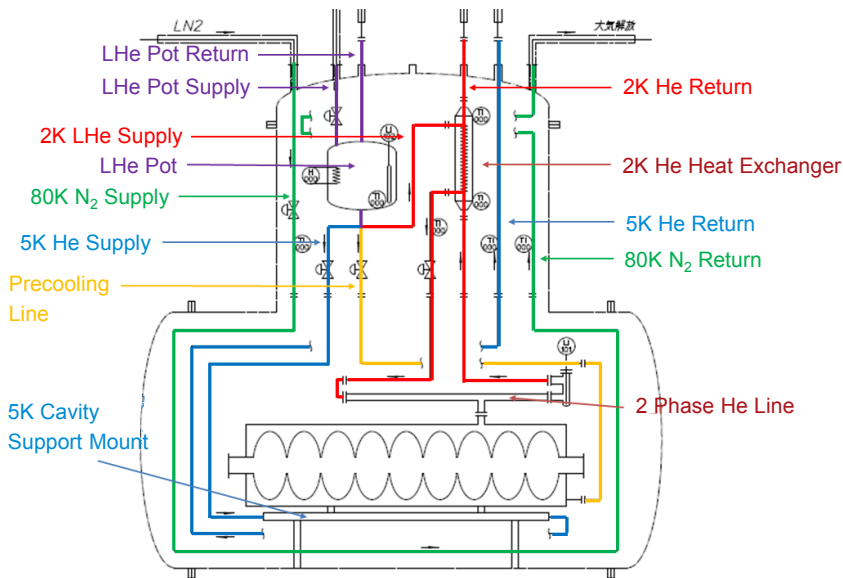
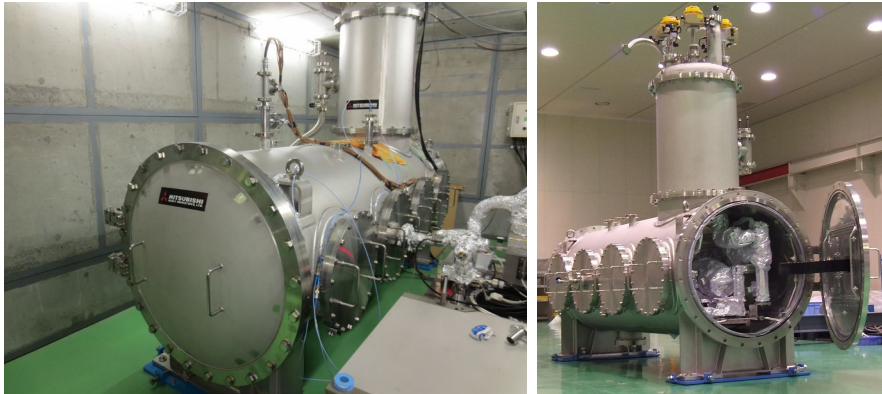
 **MITSUBISHI HEAVY INDUSTRIES MECHATRONICS SYSTEMS, LTD.**

Machinery Systems Sales Department

MHIMS0115005

1. HORIZONTAL TEST CRYOSTAT

1. HORIZONTAL TEST CRYOSTAT



Courtesy of KEK

Main Parameters

Internal length of Vacuum Vessel	3,000 mm
Internal diameter of Vacuum Vessel	1,000 mm
Number of cavities	1 x 9-cell cavities
Cavity Test Temperature	1.8K – 4.2K
Helium Bath Capacity	50L
Thermal Shield	80K LN ₂ Line Cooling
Cavity Support Mount Cooling Temperature	5K
Static Loss Through Testing (Design Value)	He: 30L/h, N ₂ : 30L/h

MOVE THE WORLD FORWARD

**MITSUBISHI
HEAVY
INDUSTRIES
GROUP**