

DELIVERY RECORD

Client: High Energy Accelerator Research Organization (KEK)

Facility: STF (Superconducting RF Test Facility)

Location: Ibaraki, Japan

1 October 2018

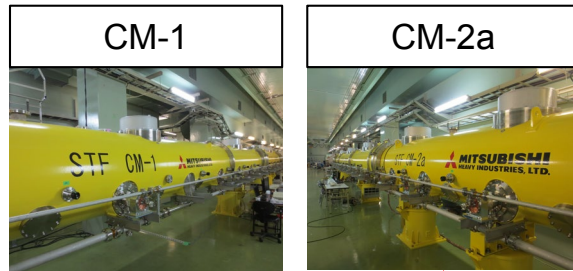
 **MITSUBISHI HEAVY INDUSTRIES MECHATRONICS SYSTEMS, LTD.**

Machinery Systems Sales Department

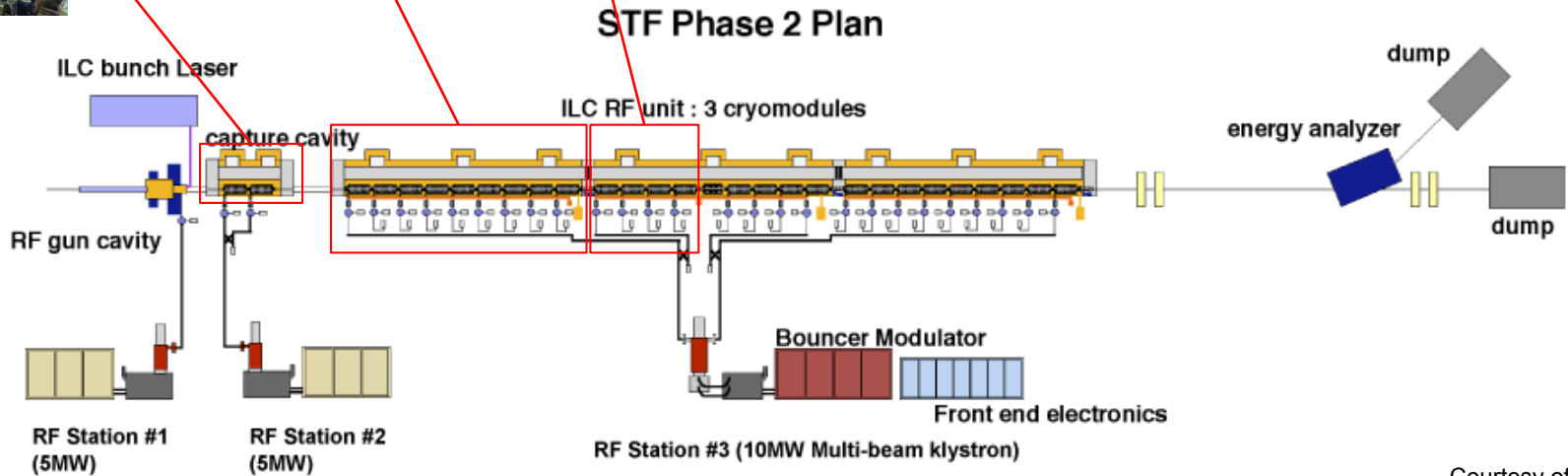
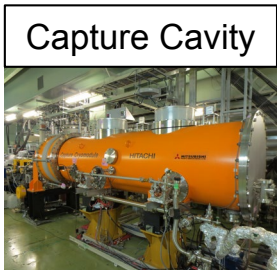
MHIMS0115004

- 1. OVERVIEW**
- 2. SUPERCONDUCTING RF CAVITY**
- 3. CRYOMODULE**

1. OVERVIEW



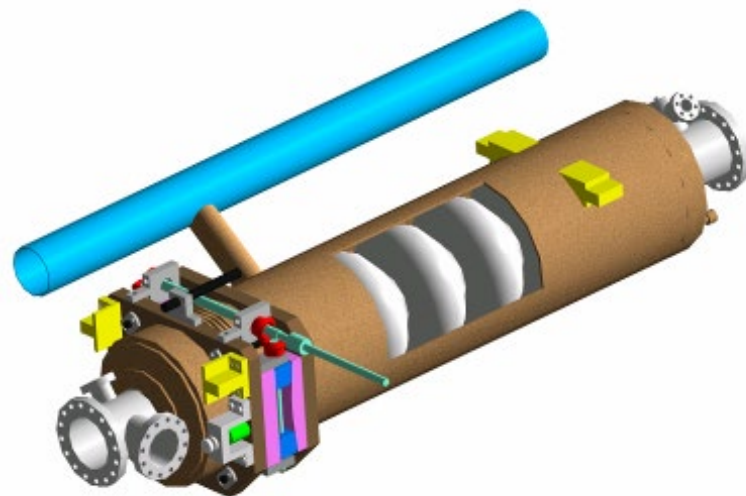
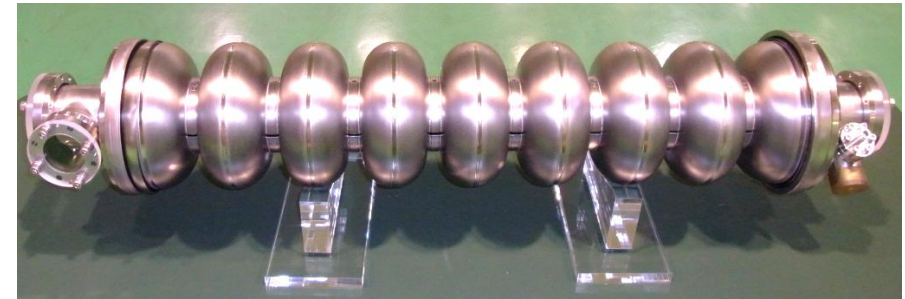
List of Main Supplies
Superconducting RF Cavity for Capture Cryomodule
Cryomodule (CM-1)
Cryomodule (CM-2a)



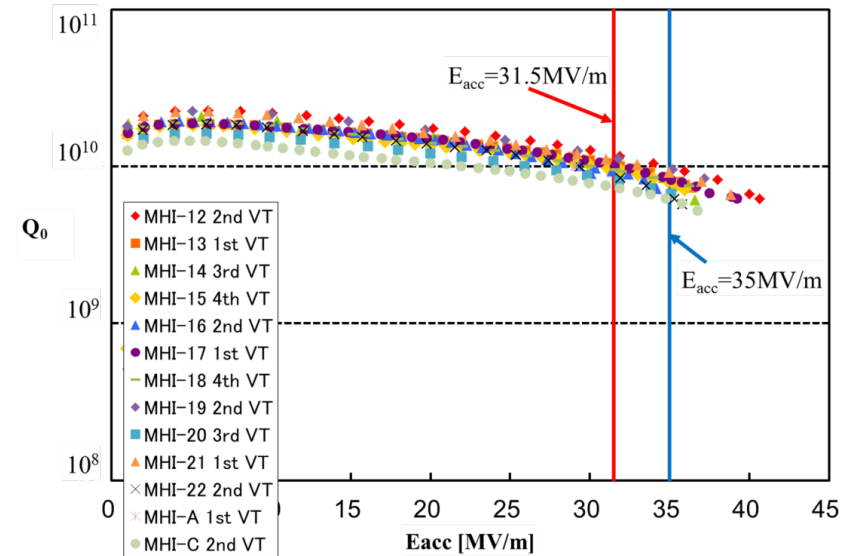
Courtesy of KEK

2. SUPERCONDUCTING RF CAVITY

Main Parameters	
Accelerating Field	31.5MV/m (Design Value) 40.7MV/m (MHI achieved)
Q-Value	1.0×10^{10}
Frequency	1,300MHz
Cell Number	9
Material	Pure Niobium



Courtesy of KEK



Courtesy of KEK

3. CRYOMODULE

Main Parameters

Frequency	1,300MHz
Number of Cavities per Module	CM-1: 8 x 9-cell cavities CM-2a: 4 x 9-cell Cavities

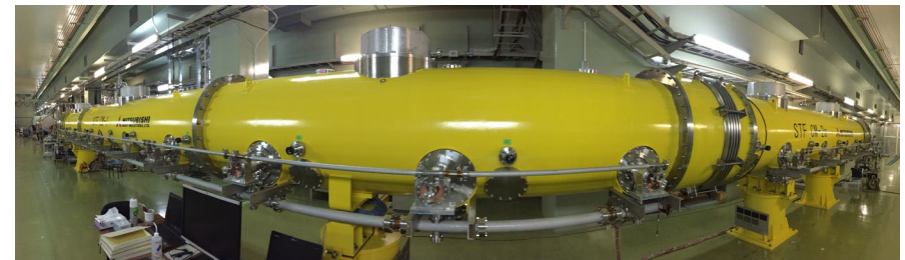


Finished Cavity String (CM-1)

Assembly of Cryomodule (CM-1)



Installed Cryomodule (CM-1&CM-2a)



MOVE THE WORLD FORWARD

**MITSUBISHI
HEAVY
INDUSTRIES
GROUP**