

IMPROVE PERFORMANCE WITH FOOTPRINT REPLACEMENT

Footprint replacement (FPR) is the process of replacing existing compressors and steam turbines with higher efficiency, higher performance machines designed to match the existing footprint with minimal modifications to process piping and foundations.

Mitsubishi Heavy Industries Compressor International (MCO-I) has extensive experience supplying FPR projects or a variety of applications. Backed by Mitsubishi Heavy Industries Compressor Corporation (MCO) engineering, we custom design replacement casings with castings and forgings produced in our own MHI foundries.

BENEFITS OF FOOTPRINT REPLACEMENT

- High performance efficiencies of new compressors and steam turbines allow for significant increases in capacity with reduced energy consumption
- Larger expansions can be implemented at a lower cost per ton of incremental product when compared to projects that re-rotor existing machines
- Installation is designed to increase operating margins and allow for additional plant debottlenecking
- Delivers higher capacity upgrades of over 100% versus the 10-20% increases achieved by re-rotoring
- Compressor and steam turbine performance is verified by shop testing before shipping
- Reduce emissions

MCO/MCO-I FPR SUPPLY RECORD

Global installed base since 1987

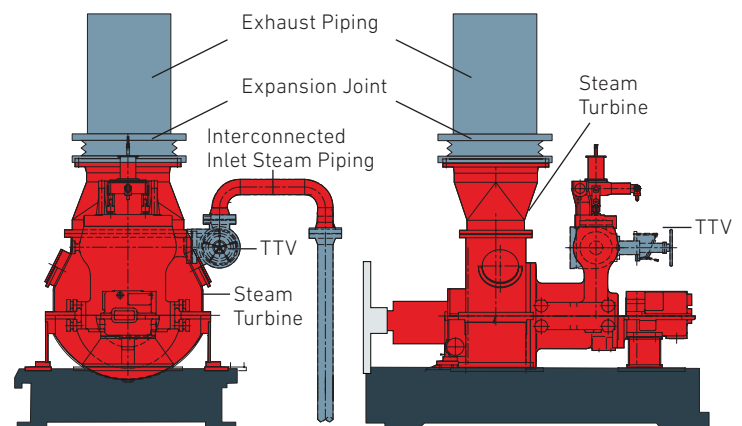
| | |
|----------------|-----|
| Compressors | 224 |
| Steam Turbines | 102 |

REAL PROJECT RESULTS

Ethylene plant capacity expansion projects

| Before | After |
|---------|-----------|
| 771 KTA | 1,100 KTA |
| 875 KTA | 1,050 KTA |
| 600 KTA | 800 KTA |

STEAM TURBINE REPLACEMENT



REPLACE

S/T & Piping ■

RE-USE

TTV & Steam Piping ■

Baseplate ■

Comp & Gear ■



MOVE THE WORLD FORWARD



For the full catalog of information on our products and services, scan this code with your smart device!