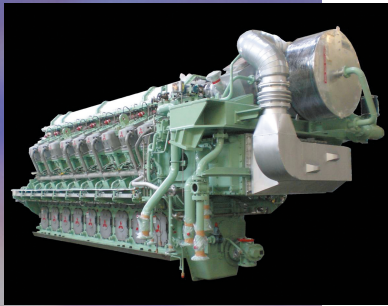


KU30GSI



Today's Most Advanced Spark Ignition Gas Engine class Leader at 48.8% Efficiency



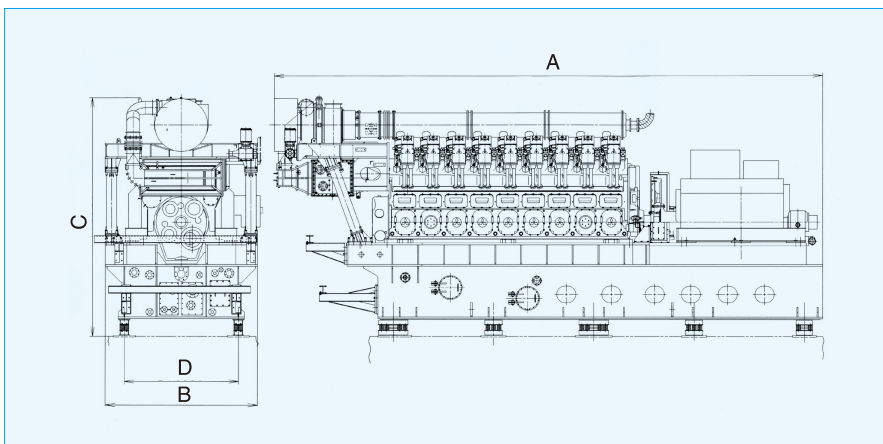
- Exceptional combination of Power Generation & Heat Recovery delivers Exceptional Plant Thermal Efficiencies
- Wide range of Combined Heat & Power (CHP) system designs
- Advanced Electric Controls optimizes combustion
- Fast Start, Ramp Rate, and Unloading perfect for load following
- Consistent Performance for Hot Days and High Elevations
 - No De-Rating below 600 m (1,968 ft) or 35 deg C (95 deg F)
 - Optional T/C upgrade extends performance to 1,500 m (4,900 ft)
- Multi-Engine Plant design:
 - Maintains Overall Plant Efficiency at Optimum Levels
 - Allows Independent Engine Start & Control
 - Provides savings through Non-Spinning Reserve
 - Reduces Plant Maintenance and Life Cycle Costs

※Based upon ISO 3046 Standard Conditions & Configuration

Main Specifications

Model:	12KU30GSI		14KU30GSI		16KU30GSI		18KU30GSI	
Generator Frequency (Hz)	60	50	60	50	60	50	60	50
No. of Cylinders	12		14		16		18	
Bore x stroke (mm)	300 x 380							
RPM	720	750	720	750	720	750	720	750
Generator Rated output (kWe)	3,650	3,800	4,250	4,450	4,900	5,100	5,500	5,750
Engine Weight (Metric Ton)	40		48		54		60	
NOx Emissions (ppm)*	320 or less (O ₂ : 0%), 92 or less (O ₂ : 15%)							

*: Low NOx version (200 ppm) on requests.

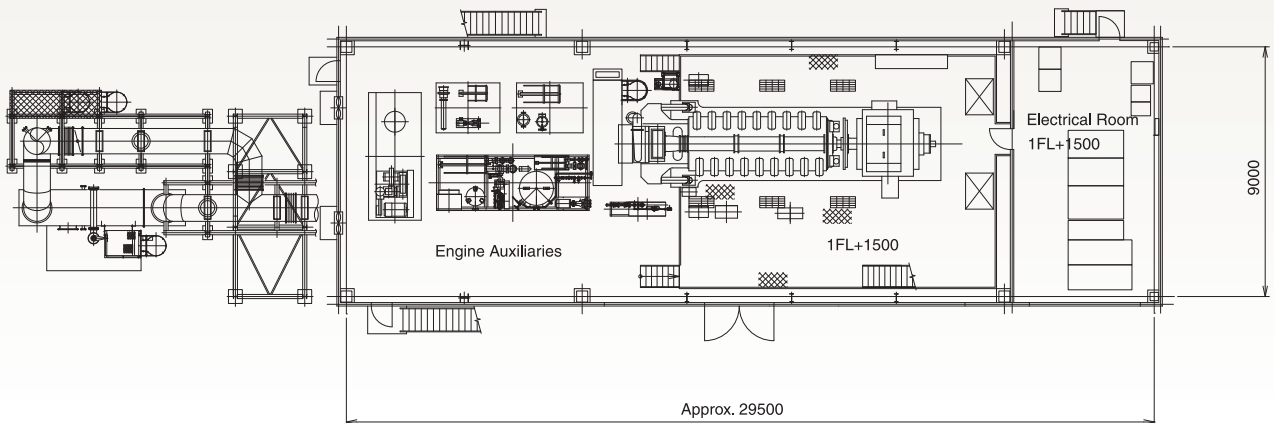
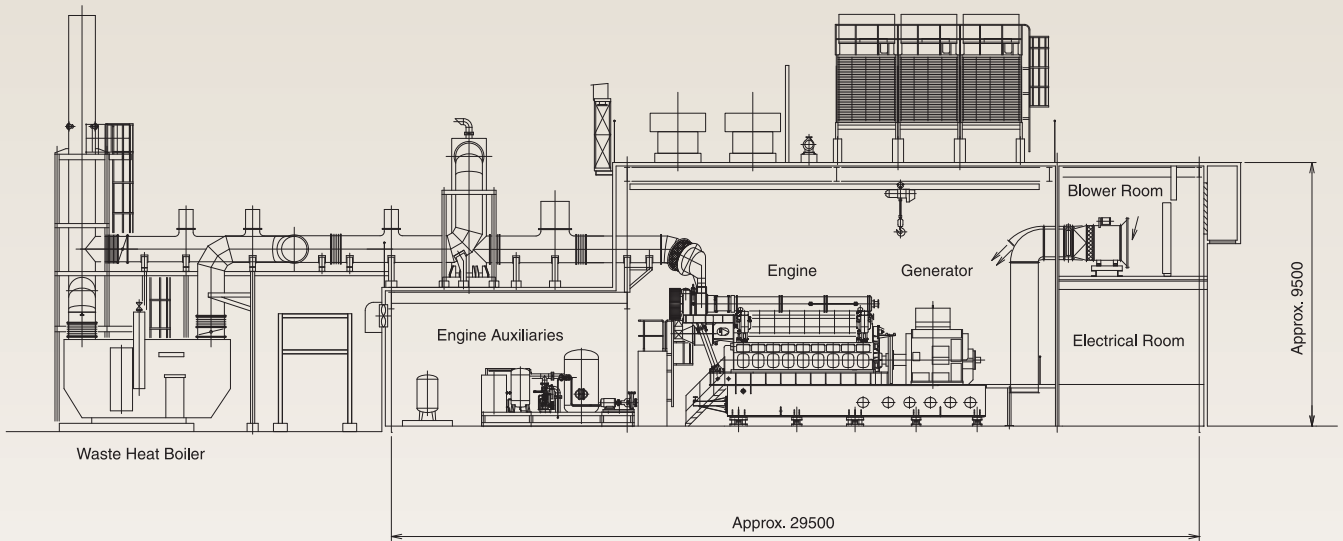


unit: mm

Model:	A	B	C	D
12KU30GSI	9,850	3,180	4,980	2,380
14KU30GSI	10,390	3,180	4,980	2,380
16KU30GSI	10,930	3,180	4,980	2,380
18KU30GSI	11,470	3,180	4,980	2,380

Example of KU30GSI Engine Plant

Unit: mm



 **MITSUBISHI HEAVY INDUSTRIES ENGINE & TURBOCHARGER, LTD.**

**Engine & Energy Division
Engine Sales Department**

3000 Tana, Chuo-ku, Sagami-hara-shi, Kanagawa, 252-5293, Japan

Phone: 81-42-761-2056 Fax: 81-42-761-8051

16-5, Konan 2-chome, Minato-ku, Tokyo 108-8215, Japan

Phone: 81-3-6761-4771 Fax: 81-3-6761-5854

Printed in Japan