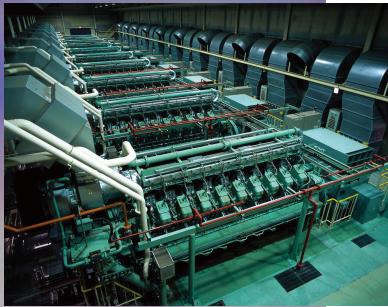


KU30GA

MITSUBISHI ADVANCED ENGINE
Clean & High Efficiency

Flexible / Fuel Efficient / Reliable Market Leading Micro-Pilot Gas Engine



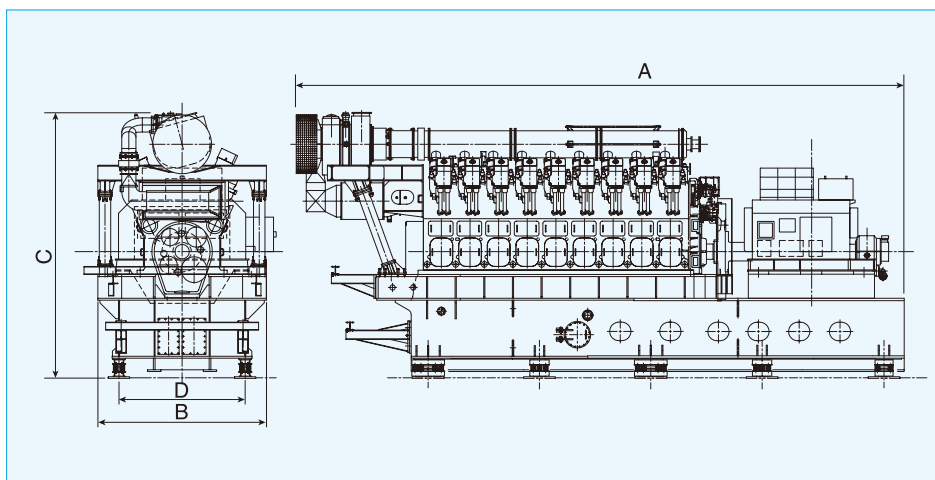
- 10 year In-Service Track Record of Exceptional Reliability
- Mitsubishi pioneered the Micro-Pilot Combustion Control System:
 - First to employ Cylinder Knock Sensing Technology
 - Exceptional Fuel Flexibility including Coal Mine Methane, Digester Gas, Landfill Gas and various Low Calorie Fuels
- Low NOx emissions (30 ppm @ O₂=15%, 1/3 TA LUFT)
- Consistent performance for Hot Days and High Elevations:
 - No De-Rating below 600 m (1,968 ft) or 35 deg C (95 deg F)
 - Optional T/C upgrade extends performance to 1,500 m (4,900 ft)
- Multi-Engine Plant design:
 - Maintains Overall Plant Efficiency at Optimum Levels
 - Allows Independent Engine Start & Control
 - Provides saving through Non-Spinning Reserve
 - Reduces Plant Maintenance and Life Cycle Costs

※Based upon ISO 3046 Standard Conditions & Configuration

Main Specifications

Model:	12KU30GA		14KU30GA		16KU30GA		18KU30GA	
Generator Frequency (Hz)	60	50	60	50	60	50	60	50
No. of Cylinders	12		14		16		18	
Bore x stroke (mm)	300 x 380							
RPM	720	750	720	750	720	750	720	750
Generator Rated output (kWe)	3,650	3,800	4,250	4,450	4,900	5,100	5,500	5,750
Engine Weight (Metric Ton)	40		48		54		60	
NOx Emissions (ppm)*	200 or less (O ₂ : 0%), 58 or less (O ₂ : 15%)							

*: Low NOx version (200 ppm) on requests.

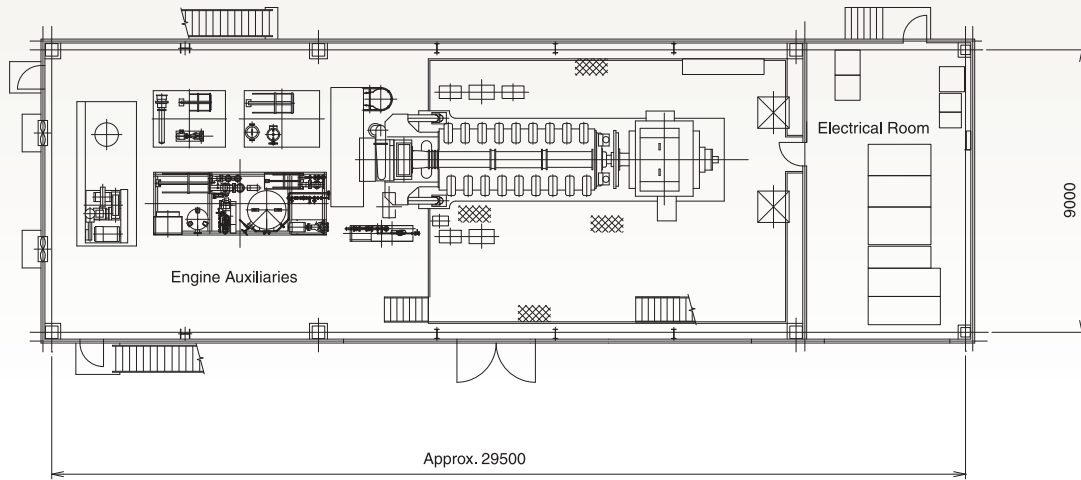
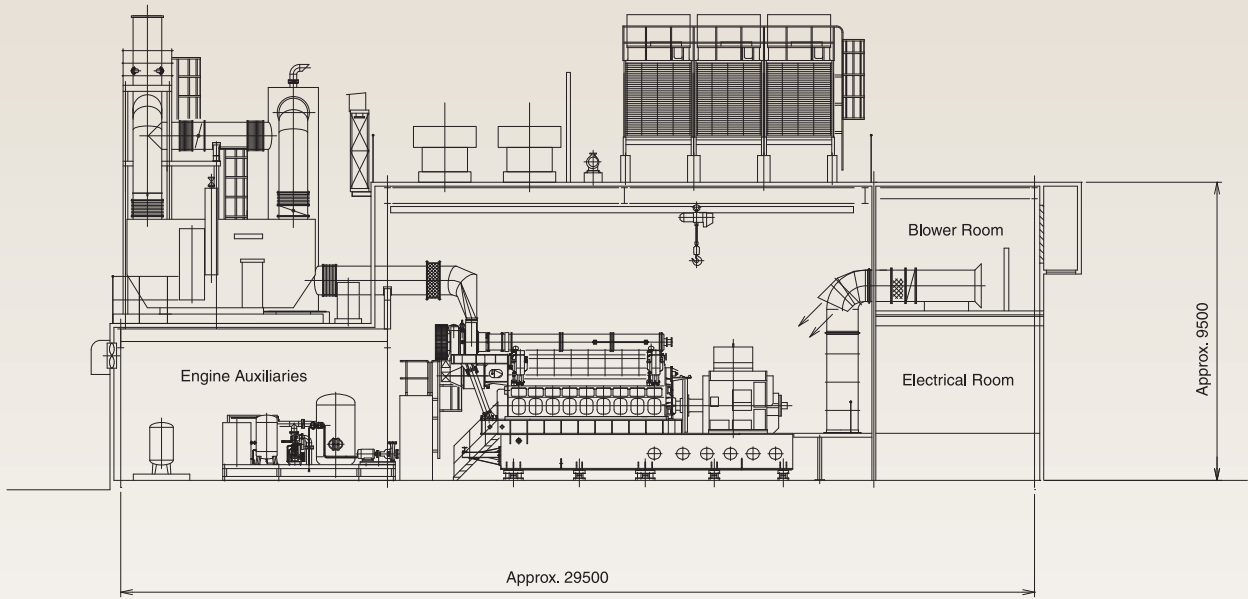


unit: mm

Model:	A	B	C	D
12KU30GA	9,850	3,180	4,980	2,380
14KU30GA	10,390	3,180	4,980	2,380
16KU30GA	10,930	3,180	4,980	2,380
18KU30GA	11,470	3,180	4,980	2,380

Example of KU30GA Engine Plant

Unit: mm



 **MITSUBISHI HEAVY INDUSTRIES ENGINE & TURBOCHARGER, LTD.**

**Engine & Energy Division
Engine Sales Department**

3000 Tana, Chuo-ku, Sagami-hara-shi, Kanagawa, 252-5293, Japan

Phone: 81-42-761-2056 Fax: 81-42-761-8051

16-5, Konan 2-chome, Minato-ku, Tokyo 108-8215, Japan

Phone: 81-3-6761-4771 Fax: 81-3-6761-5854

Printed in Japan