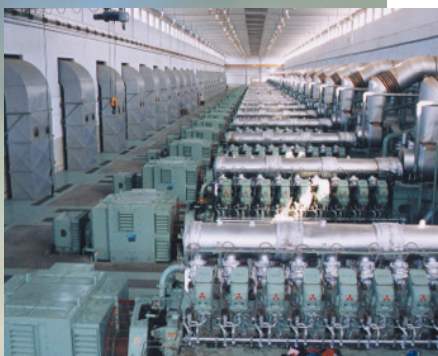
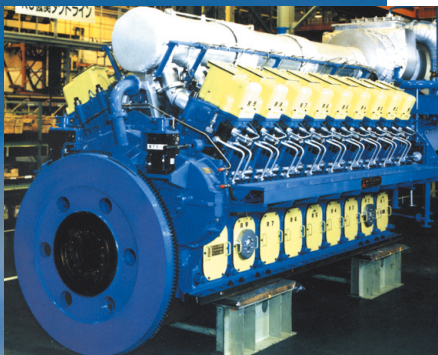


KU30A



**Still a World Class Diesel Engine after 25+ Years!
Today's KU30A is one of the World's Most Reliable & Flexible Engines**

- Runs on No.2 – No.6 Diesel Fuel Oil
- Exceptional performance and Maintenance Record when firing Heavy Fuel Oil (HFO)
- Consistent Performance for Hot Days and High Elevations:
 - No De-Rating below 600 m (1,968 ft) or 35 deg C (95 deg F)
 - Optional T/C upgrade extends performance to 1,500 m (4,900 ft)
- Multi-Engine Plant design:
 - Maintains Overall Plant Efficiency at Optimum Levels
 - Allows Independent Engine Start & Control
 - Provides savings through Non-Spinning Reserve
 - Reduces Plant Maintenance and Life Cycle Costs

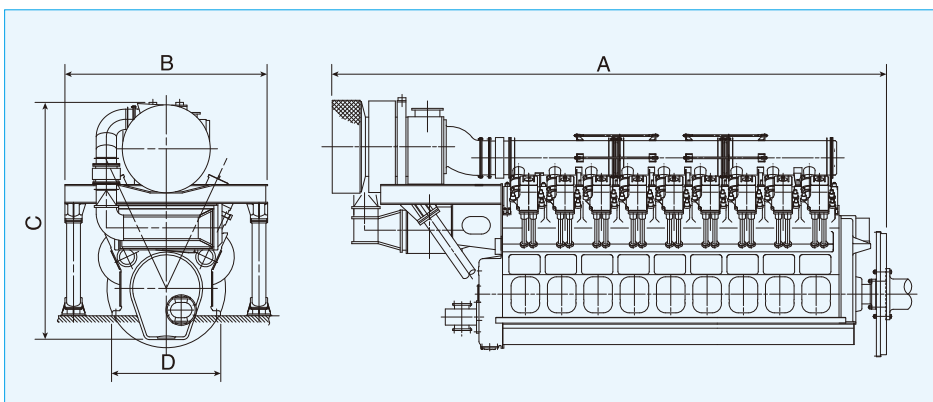
※Based upon ISO 3046 Standard Conditions & Configuration
KU30G common cylinder design facilitates Natural Gas conversion

Main Specifications

Model:	12KU30A		14KU30A		16KU30A		18KU30A	
Generator Frequency (Hz)	60	50	60	50	60	50	60	50
No. of Cylinders	12		14		16		18	
Bore x stroke (mm)	300 x 380							
RPM	720	750	720	750	720	750	720	750
Generator Rated output (kWe)	3,760	3,920	4,390	4,570	5,020	5,230	5,650	5,880
Engine Weight (Metric Ton)	40		48		54		60	
NOx Emissions (ppm)*1	710 – 780 (O ₂ : 15%)							
Steam Generation @0.69 MPaG (kg/hr)*2	1,470		1,670		1,870		2,100	

*1: NOx value to be determined referring to local regulation.

*2: These figures are for reference only. Actual figures shall be confirmed depending on design conditions.

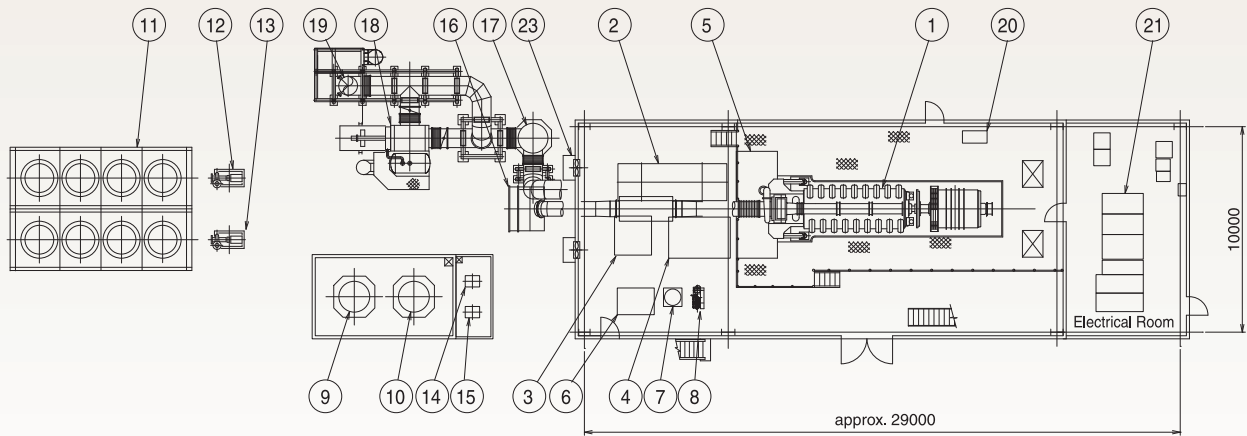
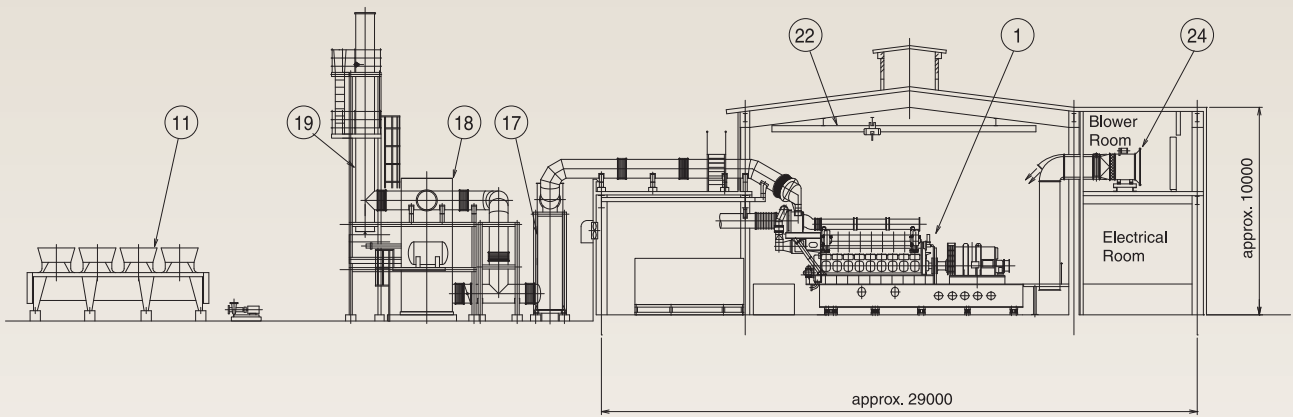


unit: mm

Model:	A	B	C	D
12KU30A	6,355	2,900	3,400	1,700
14KU30A	7,145	2,900	3,720	1,700
16KU30A	7,685	2,900	3,720	1,700
18KU30A	8,225	2,900	3,720	1,700

Example of KU30A Engine Plant

Unit: mm



- | | | | |
|--------------------------------------|---------------------------|--------------------------|-----------------------|
| ① Diesel engine and generator | ⑦ Air receiver | ⑬ HT cooling water pump | ⑲ Exhaust gas stack |
| ② Lube oil and HT cooling water unit | ⑧ Air compressor | ⑭ Heavy oil supply pump | ⑳ Engine gauge board |
| ③ Lube oil purifier unit | ⑨ Diesel oil service tank | ⑮ Diesel oil supply pump | ㉑ Electrical panels |
| ④ Fuel oil and lube oil filter unit | ⑩ Heavy oil service tank | ⑯ Intake air filter | ㉒ Overhead crane |
| ⑤ Piping block | ⑪ Radiator | ⑰ Exhaust gas silencer | ㉓ Auxiliary vent fans |
| ⑥ Heavy oil purifier unit | ⑫ LT cooling water pump | ⑱ Exhaust gas boiler | ㉔ Blowers |

MITSUBISHI HEAVY INDUSTRIES ENGINE & TURBOCHARGER, LTD.

Engine & Energy Division Engine Sales Department

3000 Tana, Chuo-ku, Sagami-hara-shi, Kanagawa, 252-5293, Japan

Phone: 81-42-761-2056 Fax: 81-42-761-8051

16-5, Konan 2-chome, Minato-ku, Tokyo 108-8215, Japan

Phone: 81-3-6761-4771 Fax: 81-3-6761-5854

Printed in Japan